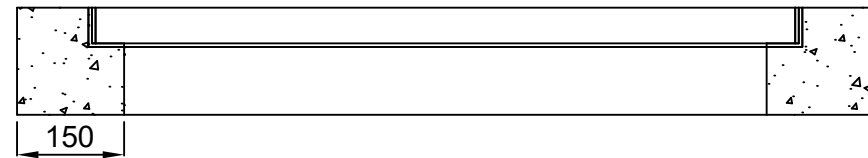
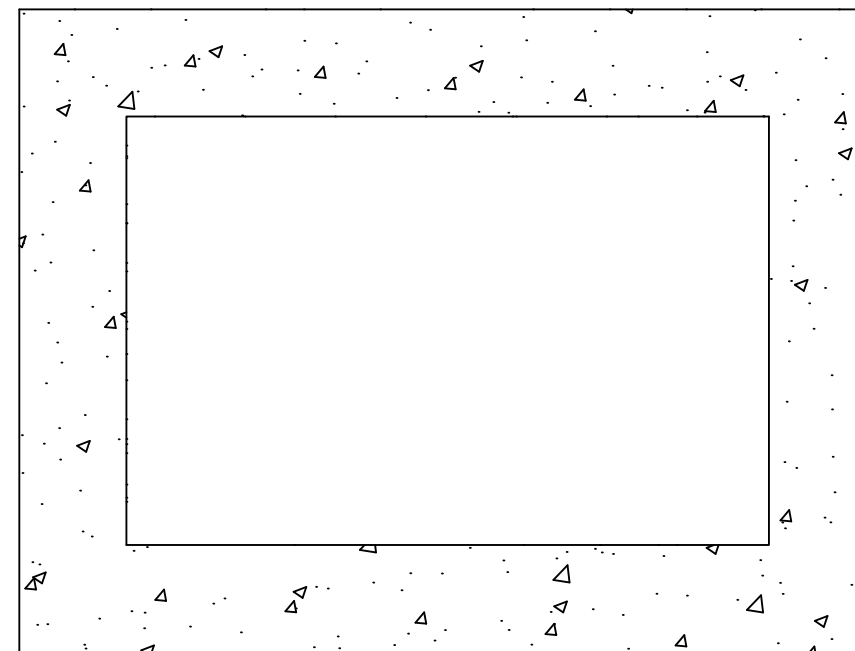


Blank	CSHGF0906B
Electrical	CSHGF0906B-E
Communications	CSHGF0906B-C

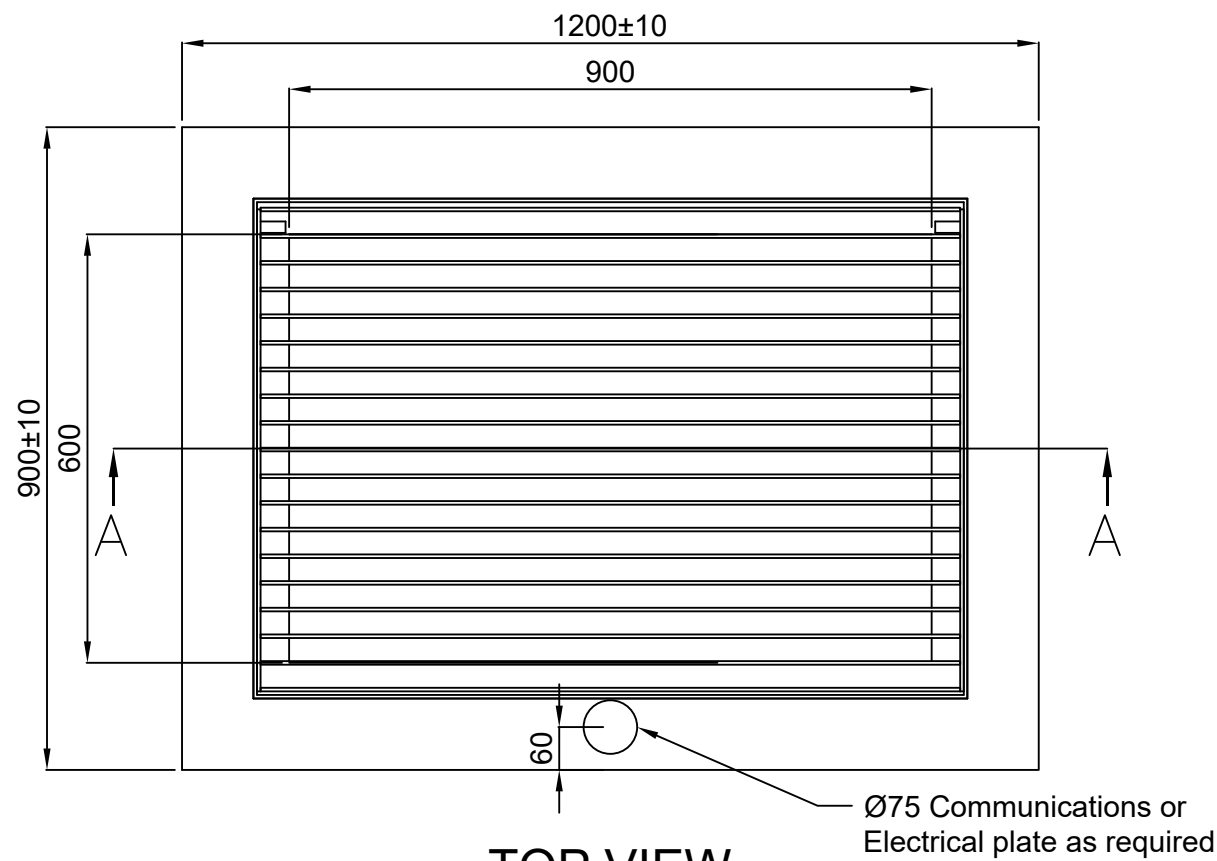
Notes:
 - Complies to AS 3996
 - Concrete strength 40 MPa
 - 40mm +/- 5 Cover
 - Steel grade 500 MPa N



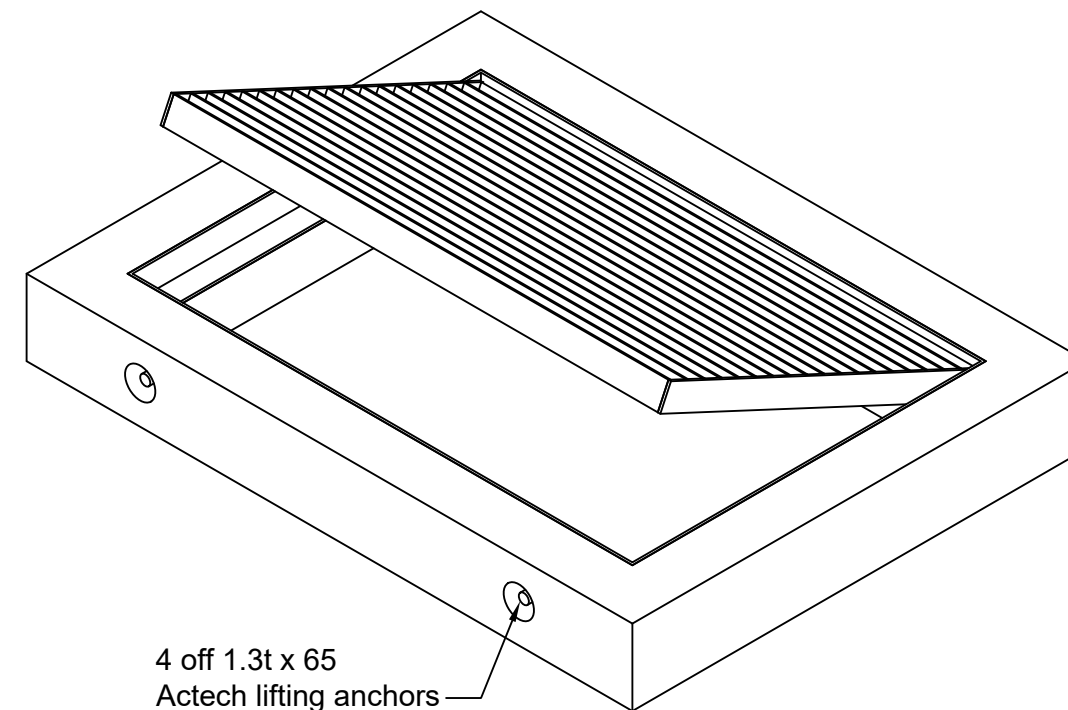
SECTION A-A



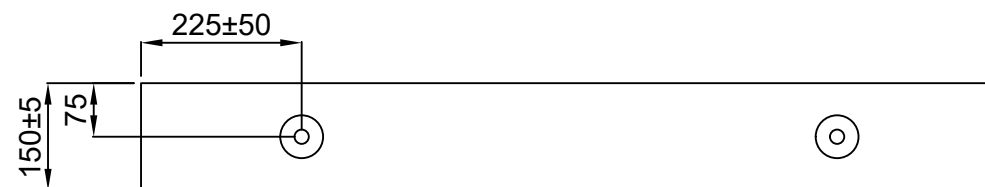
TOP VIEW REINFORCEMENT VIEW



TOP VIEW



ISOMETRIC VIEW



FRONT VIEW

Rev	Date	Description	By	Chkd by
Drawn by	Chris C	Chkd. by	Josh C	
Date	31/10/18	All dimensions are in mm unless otherwise specified		
Revision	-			
Weight	- kg	Third angle projection	Do not scale off drawing	
Sheet	1 of 1			
Part No	See above			
Drawing No	CSHGF0906B			

Description
Pit Lid with Gal Hinged Grate
 900 x 600 Class B

Jaybro